



TOKU

TNB HYDRAULIC BREAKERS

Ver.3.03



TNB-Hydraulic Breakers Features

- Advanced accumulator free technology enables simple structure yet efficient.
- Simple design allows less parts and realizes low running cost.
- Adaptable for wide range of oil pressure and flow.
- Auto grease system as optional. (TNB-7J, 151LU2, 30K, 310LU1 and 400LU2)

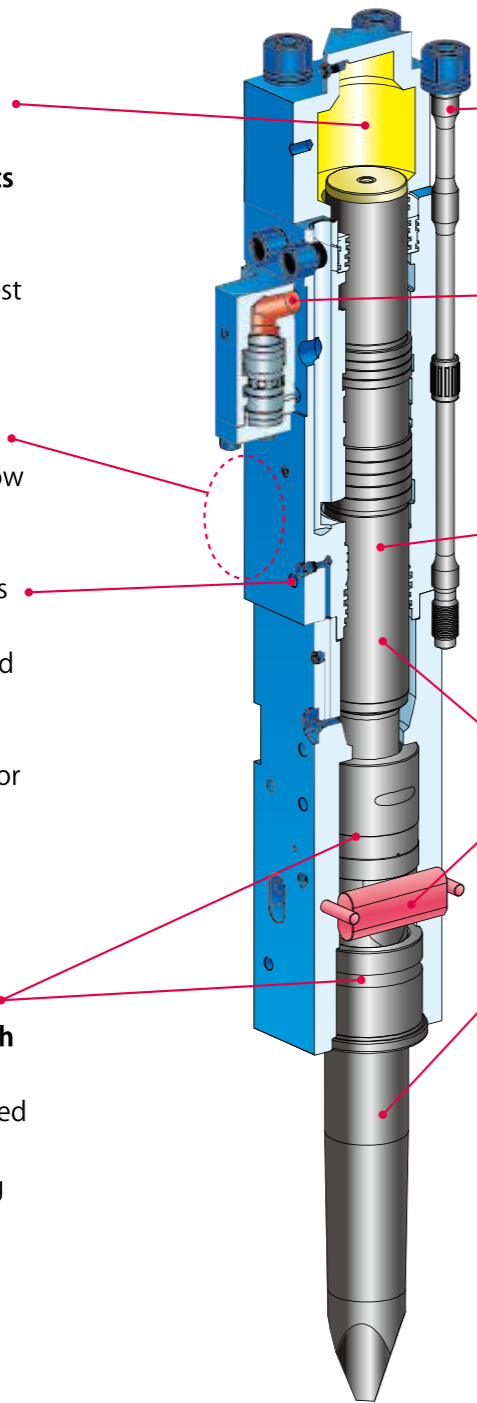
Breaker body

Cushion Chamber: It is an important impact source since TNB-breakers source **its Impact Energy 70% from Nitrogen Gas Pressure** of cushion chamber and the rest of **30% from the Operation Oil Circuit.**

Accumulator Free Breaker Structure allows easy and low cost maintenance.

Dust Preventing Valve takes cleaner air from upper area into the impact chamber and blows out the dusty air to bottom. This valve port is also used for **Underwater Application** to lead the high pressure air from a compressor.

Direct and Independent Grease Supply to **Chisel Bush** and **Chisel Holder Bush.** A chisel is the most consumed item and this system contributes well for the long life of chisel.



Durable Side Bolts: It has stress scattered structure and partially rubber coated for anti-vibration.

Short Oil Path: The oil path between control valve and cylinder is taken shortest as less as possible to avoid any secondary trouble.

Long Stroke Piston: It gives more powerful impact energy and brings a stable breaker operation.

Dual Oval Retainer Pins are robust and guarantees correct tool alignment and long life.

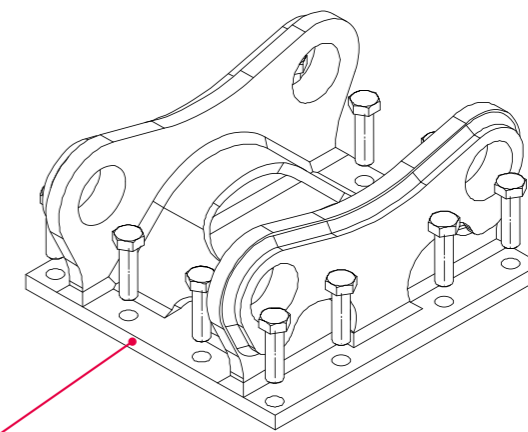
50/50 Piston to Tool Weight Ratio efficiently transfers blow energy into the material and reduces recoil.

Box Bracket system

New design for **the Bracket Adapter** with enforced rigidity using thicker material.

Durable **Guide Plate** with a collar of bolts to avoid bolts shearing.

Auto Grease System as optional.

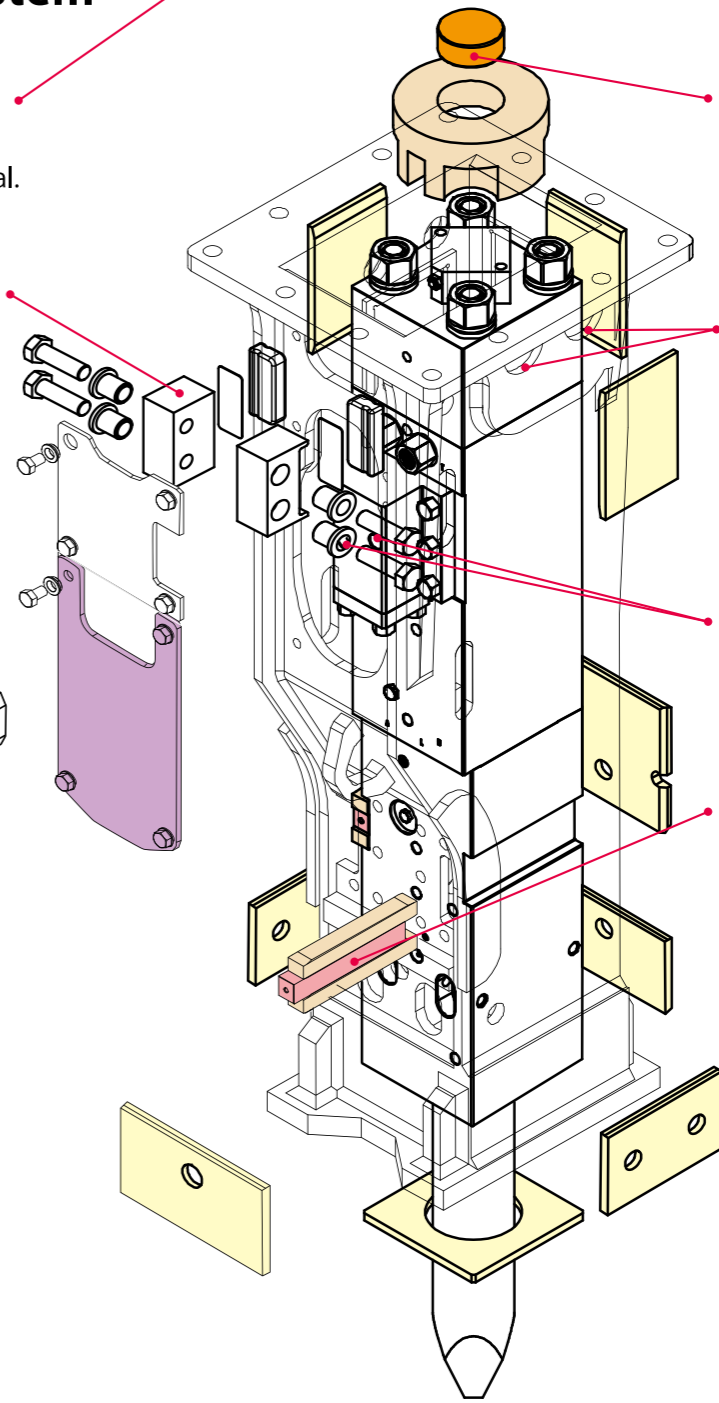
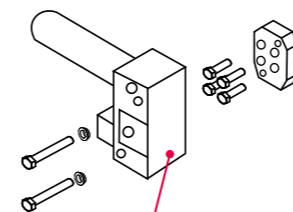


Hard Urethan Core to hold a distance between cylinder head and bracket adapter.

New Windows to check the marking for slack of side bolt nuts.

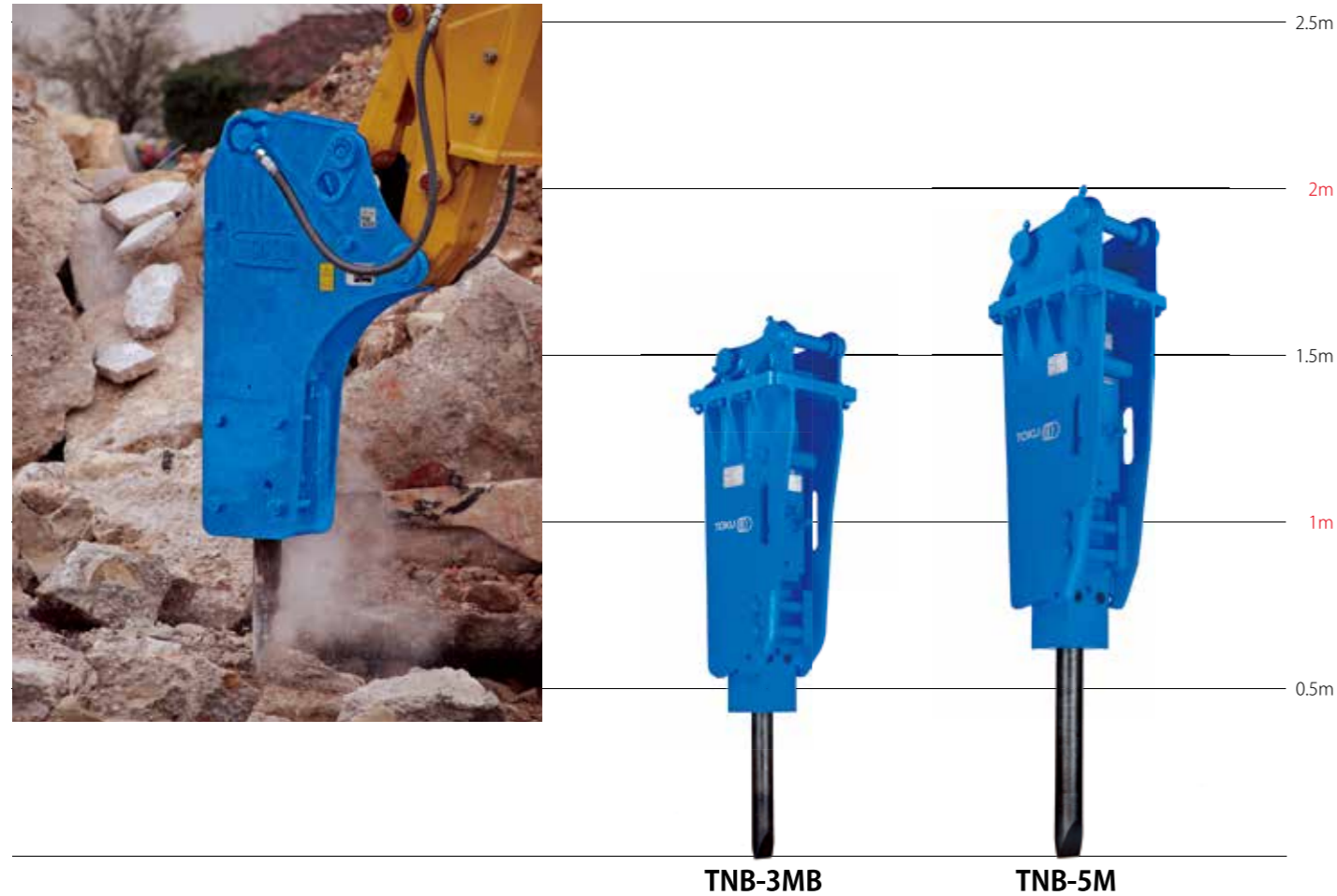
High and Low-Pressure Oil Port for driving a retrofit Auto-grease.

The Key to hold breaker body and the urethan sandwich system absorbs the vibration of breaker body.



All 15 Models line up

Mini range : 6 models

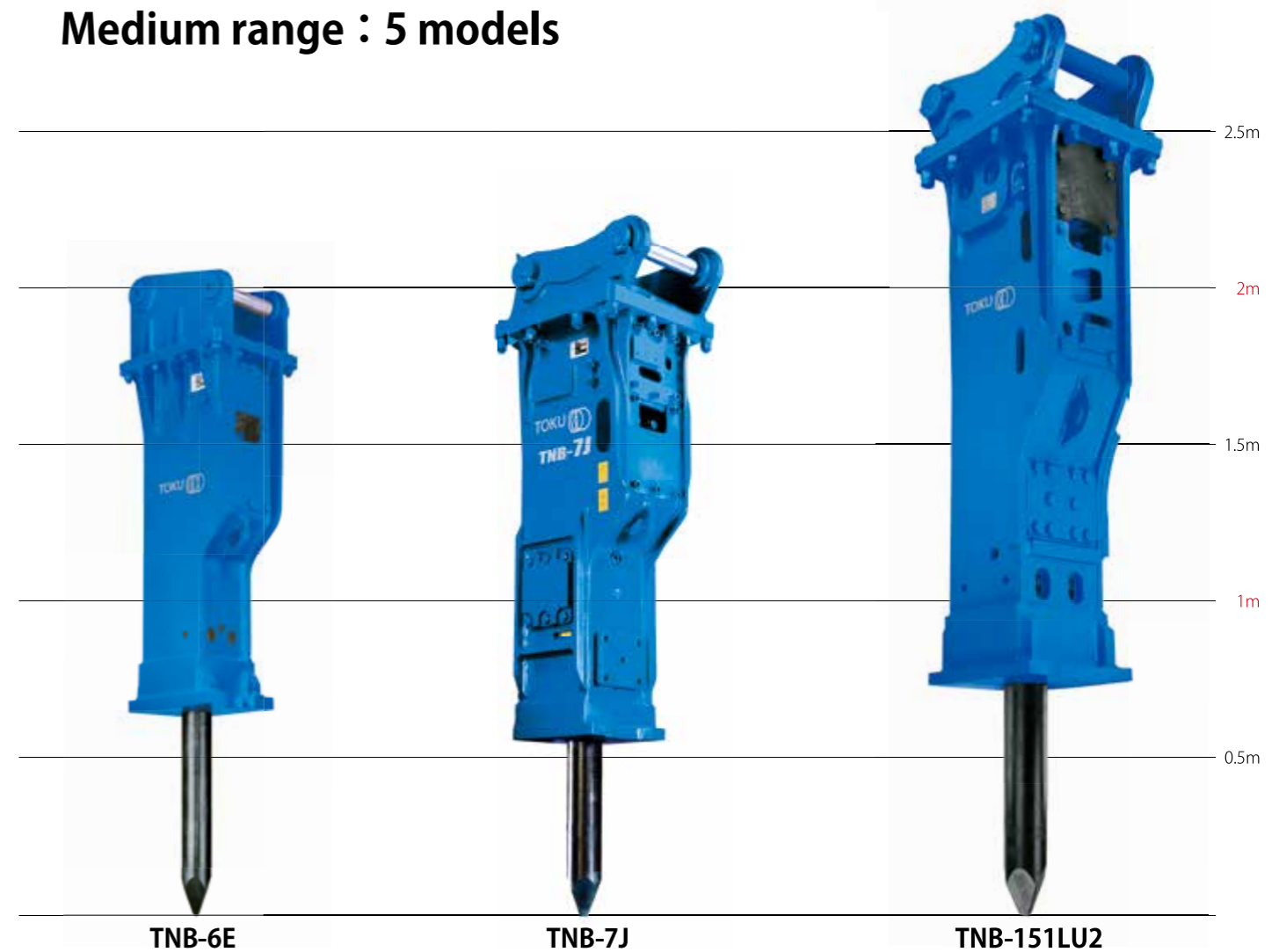


TNB-3MB

TNB-5M

MODEL		TNB-08M	TNB-1M	TNB-2M	TNB-3MB	TNB-4M	TNB-5M
Impact rate	bpm	930-1300	700-1200	600-1150	550-1000	580-1060	550-1000
Tool diameter	mm	φ40	φ45	φ50	φ58	φ64	φ75
Working weight							
2pc top mount type	kg	75	100	140	210	255	315
Box case	kg	85	125	170	250	340	400
Oil flow	L/min	18-25	20-30	20-35	25-45	30-55	35-60
Operating pressure	MPa	6-13	7-14	8-15	10-15	10-16	10-16
	PSI	870-1885	1015-2031	1160-2176	1450-2176	1450-2321	1450-2321
Hose I.D.	Inch	3/8	1/2	1/2	1/2	1/2	1/2
Gas pressure	MPa	0.8	0.8	0.8	0.8	0.8	0.8
	PSI	116	116	116	116	116	116
Carrier range	ton	0.7-1.5	1-2	1.5-2.5	2.4-4	3-4.5	3.8-6

Medium range : 5 models



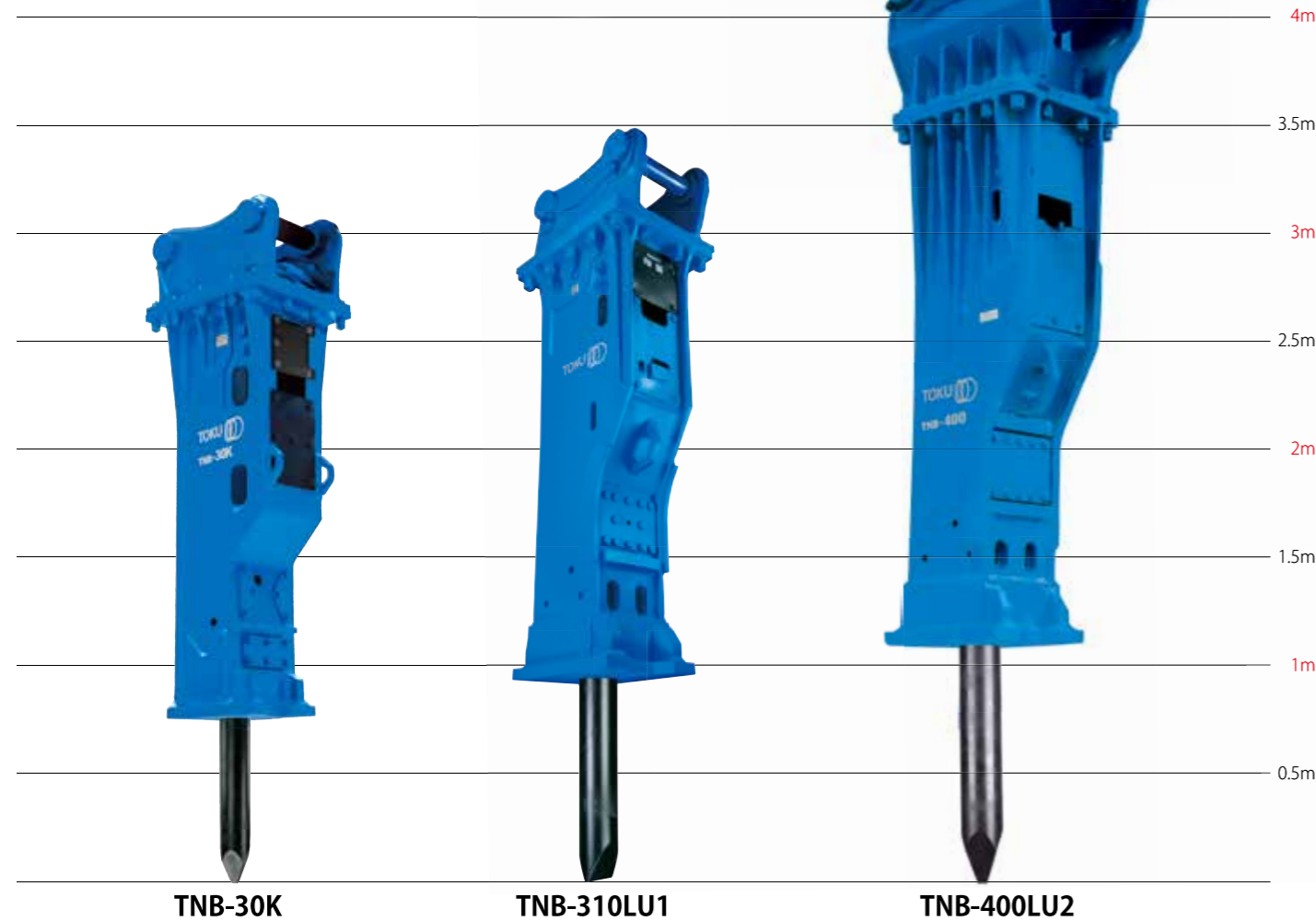
TNB-6E

TNB-7J

TNB-151LU2

MODEL		TNB-6M	TNB-6E	TNB-7J	TNB-110	TNB-151LU2
Impact rate	bpm	600-1050	550-1000	450-720	430-600	450-630
Tool diameter	mm	φ75	φ95	φ105	φ115	φ135
Working weight						
2pc top mount type	kg	350	465	-	-	-
Box case	kg	440	585	950	1210	1800
Oil flow	L/min	40-70	45-80	80-120	100-140	160-200
Operating pressure	MPa	10-16	10-16	14-18	12-17	14-18
	PSI	1450-2321	1450-2321	2031-2611	1740-2466	2031-2611
Hose I.D.	Inch	3/4	3/4	3/4	1"	1"
Gas pressure	MPa	1	0.8	0.9	0.8	1.1
	PSI	145	116	131	116	160
Carrier range	ton	5.5-8	6-11	8-14	14-20	18-25

Large range : 4 models



MODEL		TNB-190LU2	TNB-30K	TNB-310LU1	TNB-400LU2
Impact rate	bpm	370-490	350-450	340-470	310-470
Tool diameter	mm	φ140	φ155	φ160	φ178
Working weight					
Box case	kg	2250	2880	3600	5100
Oil flow	L/min	160-210	180-230	240-300	280-390
Operating pressure	MPa	14-18	13-18	14-18	14-18
	PSI	2031-2611	1885-2611	2031-2611	2031-2611
Hose I.D.	Inch	1"	1"	1" -1/4	1" -1/4
Gas pressure	MPa	0.8	0.95	0.8	0.8
	PSI	116	138	116	116
Carrier range	ton	20-30	27-40	38-50	45-70

Auto Grease System (Option)



Saving time for greasing!

About TOKU Auto Grease System

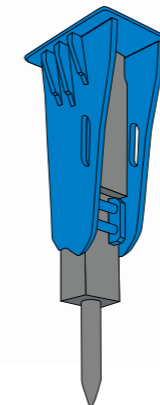
-Utilizing hydraulic high-pressure oil from base machine, TOKU Auto Grease System automatically supplies appropriate amount of grease to hydraulic breakers during breaker operation.

Reducing the running cost of hydraulic breakers!

Benefit of TOKU Auto Grease System

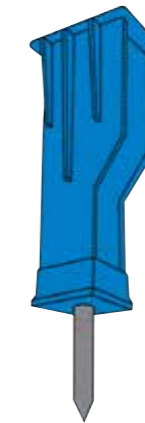
-By supplying appropriate grease to the breaker all the time during breaker operation, the wear of most consumable parts such as chisel bushing and retainer pins could be minimized, which extends lifetime of spare parts and reduces hydraulic breakers running cost.

Bracket type :



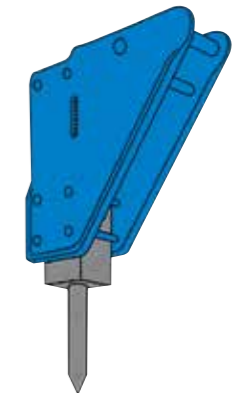
2 pc open box type

- Available for TNB-08M~TNB-6E
- Light weight type
- Easy maintenance



Box (silenced) type

- Available for all models
- Suitable for work in residential area



Side mount type

- Available for TNB-08M~TNB-310
- Easy handling

Tool selection :

Type	Purpose	Application	Shape
Moil point	Largely breaking	Reinforced concrete rock bed	
Flat	Wedge action	Trenching and slope finishing	
Flat end	Large stone into small	Boulders and concrete	

"Long type tools are available as option"

TOKU PNEUMATIC CO.,LTD.

International Operations

3-4, 4Chome, Katakasu, Hakata-ku, Fukuoka 812-0043 Japan

Phone:81-92-431-0401

Fax:81-92-431-1014

e-mail:int-op@toku-net.co.jp

URL:https://www.toku-net.co.jp/en/



Main Plant



Kamimine Plant



Hirokawa Plant



Kishima Plant



Kiyama Plant



EMS 89393 / ISO 14001

Distributor