

SALES & ENGINEERING DATA

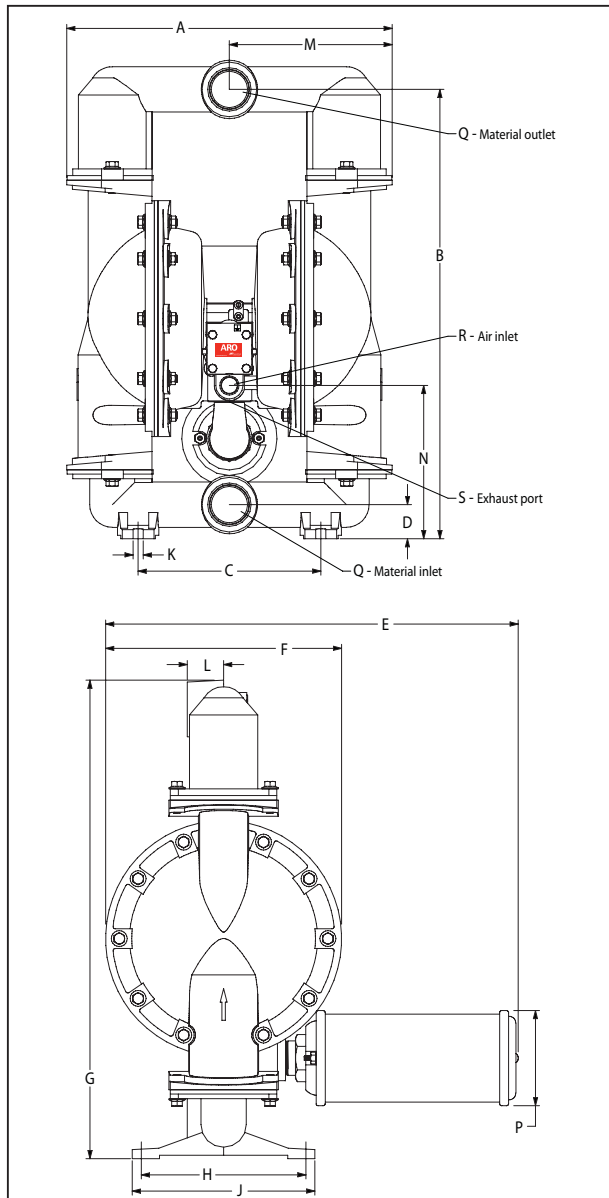
66625X-XXX-C and 66627X-XXX-C 2" Metallic Diaphragm Pump

RATIO SERIES: **1:1**

FLUID P.S.I. RANGE: **10 - 120**

RELEASED: 3-21-06
REVISED: 9-12-11
(REV. 06) S-1362

DIMENSIONAL DATA



DIMENSIONS

A - see below	G - see below	N - 8-15/32" (214.6 mm)
B - 24-3/4" (628.7 mm)	H - 9-1/16" (230.2 mm)	P - 5-1/4" (133.4 mm)
C - 10-1/16" (255.6 mm)	J - 10-1/16" (255.6 mm)	Q - see below
D - 1-7/8" (47.6 mm)	K - 9/16" (14.3 mm)	R - 3/4 - 14 NPTF - 2
E - 22-3/4" (577.7 mm)	L - see below	S - 1-1/4 - 11-1/2 NPTF - 2
F - 13" (330.2 mm)	M - see below	

NOTE: Dimensions are shown in inches and (mm) and are supplied for reference only.

Model	"A"	"G"	"L"	"M"	Model	"Q"
6662XQ-XXX-C	17-15/16" (455.1 mm)	26-3/8" (669.0 mm)	2" (50.8 mm)	8-31/32" (227.6 mm)	666250-XXX-C	2 - 11-1/2 NPTF - 2
6662X1-XXX-C	18" (456.7 mm)	26-9/32" (667.5 mm)	1-7/8" (47.6 mm)	9" (228.4 mm)	666270-XXX-C	Rp 2 (2 - 11 BSP, parallel)
6662X2-XXX-C	17-15/16" (455.1 mm)	26-3/8" (669.0 mm)	2" (50.8 mm)	8-31/32" (227.6 mm)		
6662XA-XXX-C	17-15/16" (455.1 mm)	26-3/8" (669.0 mm)	2" (50.8 mm)	8-31/32" (227.6 mm)		
6662XB-XXX-C	18" (456.7 mm)	26-9/32" (667.5 mm)	1-7/8" (47.6 mm)	9" (228.4 mm)		
6662XC-XXX-C	17-15/16" (455.1 mm)	26-3/8" (669.0 mm)	2" (50.8 mm)	8-31/32" (227.6 mm)		

SPECIFICATIONS

Model Series	66625X-XXX-C / 66627X-XXX-C
Pump Type	Metallic, air operated, double diaphragm pump
Ratio	1:1
Material Inlet / Outlet (female)	
66625X-XXX-C	2 - 11-1/2 NPTF - 2
66627X-XXX-C	Rp 2 (2 - 11 BSP parallel)
Air Inlet (female)	3/4 - 14 NPTF - 2
Air Exhaust (female)	1-1/4 - 11-1/2 NPTF - 2
Weight	
6662XQ-XXX-C	65.15 lbs (29.55 kgs)
6662X1-XXX-C	129.93 lbs (58.94 kgs)
6662X2-XXX-C	124.30 lbs (56.38 kgs)
6662XA-XXX-C	65.15 lbs (29.55 kgs)
6662XB-XXX-C	129.93 lbs (58.94 kgs)
6662XC-XXX-C	124.30 lbs (56.38 kgs)
Air Section Service Kit	637434
Fluid Section Service Kit	637432-XX

6662XX - X[XX]-C
637432 - [XX]
└─ Diaphragm Material
└─ Ball Material

EXAMPLE: Model #666250-1EB-C
Fluid Section Service Kit # 637432-EB

PERFORMANCE

Air Inlet Pressure Range	10 - 120 p.s.i.g. (0.69 - 8.3 bar)
Maximum Material Inlet Pressure ..	10 p.s.i.g. (0.69 bar)
Fluid Pressure Range	10 - 120 p.s.i.g. (0.69 - 8.3 bar)
Maximum Flow Rate (flooded inlet) ...	172 g.p.m. (651.0 l.p.m.)
Displacement / Cycle @ 100 p.s.i. ...	1.35 gal. (5.12 lit.)
Maximum Particle Size	1/4" (6.4 mm)
Maximum Temperature Limits (diaphragm / ball / seal / seat material)	
E.P.R. / EPDM	-60° to 280° F (-51° to 138° C)
Hytre [®]	-20° to 150° F (-29° to 66° C)
Kynar [®] PVDF	10° to 200° F (-12° to 93° C)
Nitrile	10° to 180° F (-12° to 82° C)
Santoprene [®]	-40° to 225° F (-40° to 107° C)
PTFE	40° to 225° F (4° to 107° C)
Viton [®]	-40° to 350° F (-40° to 177° C)
Noise Level @ 70 p.s.i. - 60 c.p.m. ① ...	85.3 db(A)②

① Tested with 94810 muffler assembly installed.

② The pump sound pressure level has been updated to an Equivalent Continuous Sound Level (L_{Aeq}) to meet the intent of ANSI S1.13-1971, CAGI-PNEUROP S5.1 using four microphone locations.

ACCESSORIES

66312 Air Line Connection Kit

PERFORMANCE CURVES

66625X-XXX-C / 66627X-XXX-C 2", METALLIC DIAPHRAGM PUMP

